



※ **PLURIJET high-efficiency pumps with stainless steel impellers are as essential as water. Thanks to their reliability, quiet operation, and cost-effectiveness, they provide the best and most effective solution for your domestic needs.**

PERFORMANCE RANGE

- Flow rate up to **200 l/min** (12 m³/h)
- Head up to **97 m**

INSTALLATION AND USE

PLURIJET self-priming pumps are designed to draw water and liquids that contain air, and clean water and liquids that will not damage the pump's components. Reliable and energy-efficient, they are suitable for both domestic and civil applications, particularly for water distribution along pressure tanks to increase overall network pressure, rainwater recovery, and irrigation.

ELECTRIC MOTOR


The three-phase pumps are equipped with newly developed electric motors designed to work with inverters, which guarantee stable and quiet operation.

Efficiency class **IE3** for three-phase motors and **IE2** for single-phase motors, with class F insulation and IPX4 protection.

APPLICATION LIMITS

- Manometric suction head up to **9 m** (HS)
- Liquid temperature between **-10 °C** and **+40 °C**
- Ambient temperature up to **+40 °C**
- Maximum working pressure **10 bar**

AVAILABLE UPON REQUEST

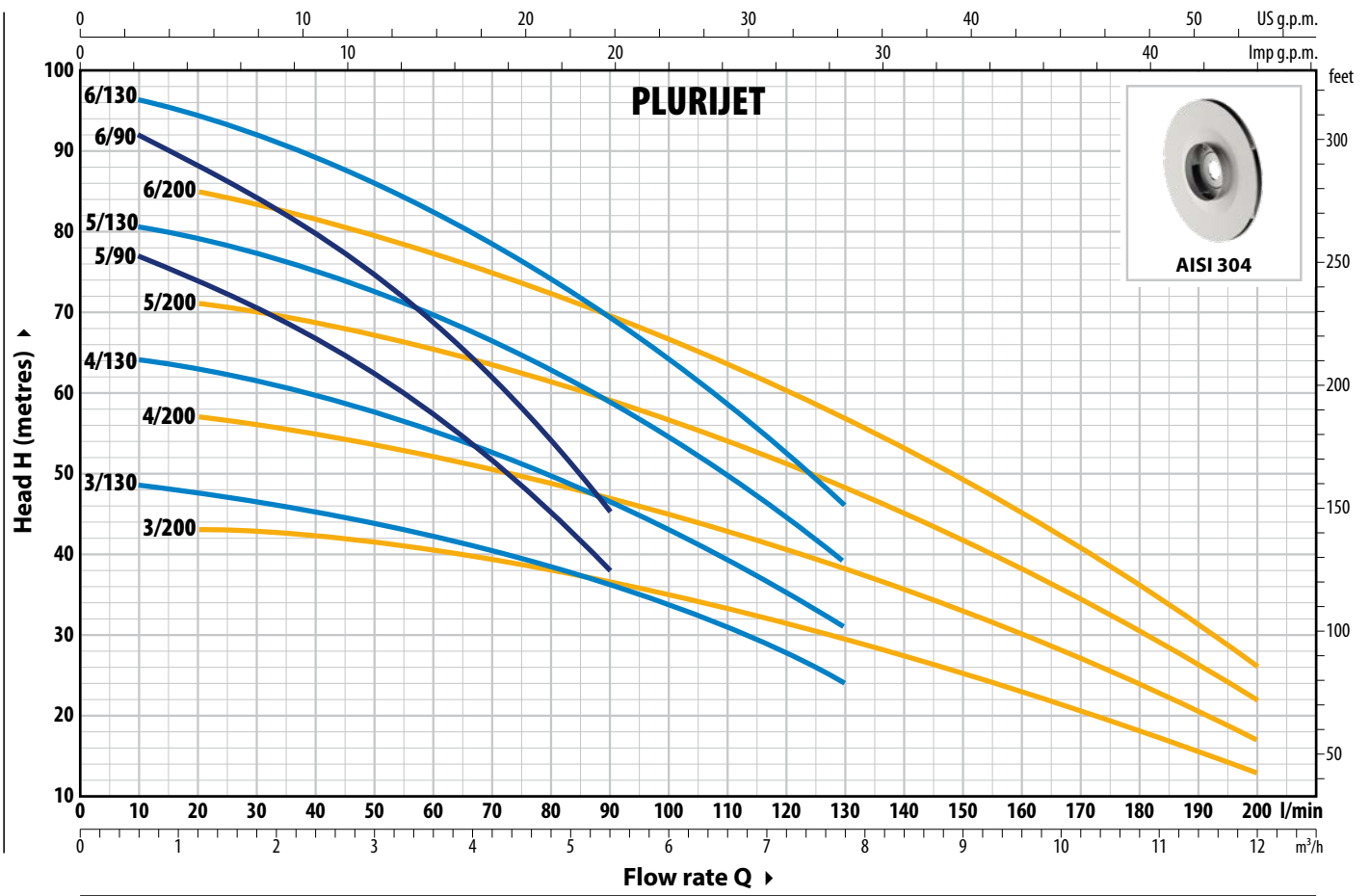
- ※ Technopolymer impeller (cost-effective version)
- ※ Different voltage requirements 60 Hz frequency
- ※ IPX5 protection
- ※ Certified pumps 

PATENTS - TRADE MARKS - MODELS

- PLURIJET® Registered trademark No. 3974301
- Patent Pending No. 102023000019836

CURVES AND PERFORMANCE DATA – HS=0 m

50 Hz

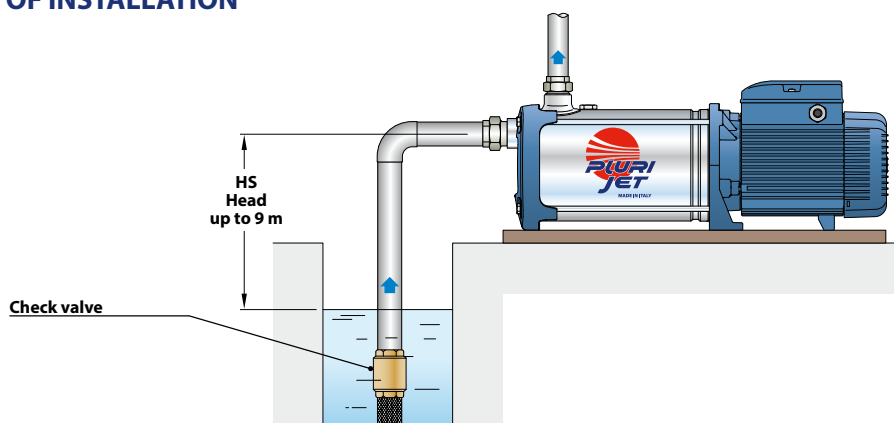


TYPE		POWER (P ₂)		1~3~	Q	m ³ /h														
Single-phase	Three-phase	kW	HP			0	0.3	0.6	1.2	2.4	3.6	5.4	6.0	7.8	8.4	9.6	10.8	12.0		
					l/min	0	5	10	20	40	60	90	100	130	140	160	180	200		
PLURIJETm 5/90	PLURIJET 5/90	1.1	1.5	IE2 IE3	H metres	80	78	77	74	67	57	38								
PLURIJETm 6/90	PLURIJET 6/90	1.5	2			96	94	92	88	80	69	45								
PLURIJETm 3/130	PLURIJET 3/130	1.1	1.5			49	49	48.5	47.5	45	42.5	36	33.5	24						
PLURIJETm 4/130	PLURIJET 4/130	1.5	2			65	65	64	63	60	56	46	43	31						
PLURIJETm 5/130	PLURIJET 5/130	1.8	2.5			81	81	80.5	79	75	70	59	54	39						
-	PLURIJET 6/130	2.2	3			97	97	96.5	94.5	90	83	69	64	46						
PLURIJETm 3/200	PLURIJET 3/200	1.1	1.5			44	43.5	43.5	43	42	40.5	37	35	29	27.5	23	18	13		
PLURIJETm 4/200	PLURIJET 4/200	1.5	2			58	57.5	57.5	57	55	52.5	47	45	38	35.5	30	24	17		
PLURIJETm 5/200	PLURIJET 5/200	1.8	2.5			73	72	71.5	71	69	65.5	59	56.5	48	44.5	38	30	22		
-	PLURIJET 6/200	2.2	3			87	86	85.5	85	82	78	69	67	57	53	45	36	26		

Q = Flow rate H = Total manometric head HS = Suction height

Performance curves comply with EN ISO 9906 Grade 3B tolerance limits.

EXAMPLE OF INSTALLATION

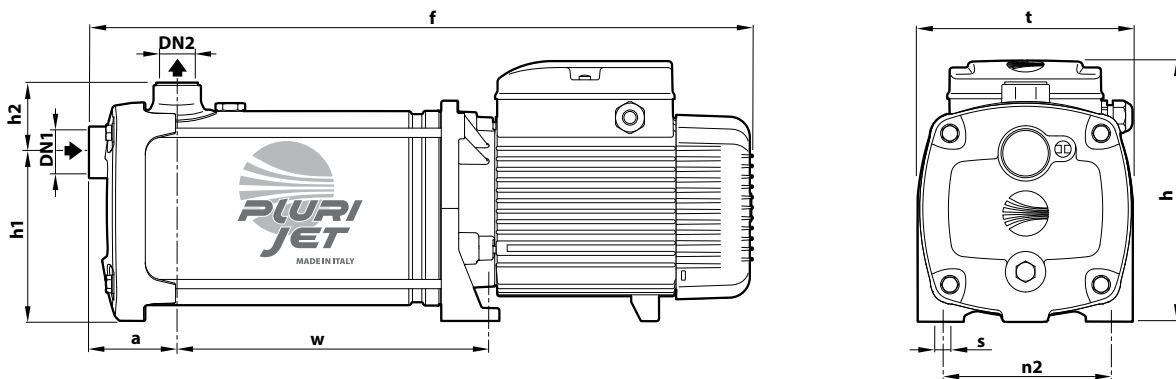


ABSORPTION

TYPE	VOLTAGE
Single-phase	230 V
PLURIJETm 5/90	9.3 A
PLURIJETm 6/90	11.0 A
PLURIJETm 3/130	8.5 A
PLURIJETm 4/130	10.3 A
PLURIJETm 5/130	12.5 A
PLURIJETm 3/200	8.7 A
PLURIJETm 4/200	10.5 A
PLURIJETm 5/200	12.5 A

TYPE	VOLTAGE	
	230 V - Δ	400 V - 人
Three-phase		
PLURIJET 5/90	6.1 A	3.5 A
PLURIJET 6/90	7.3 A	4.2 A
PLURIJET 3/130	5.5 A	3.2 A
PLURIJET 4/130	6.9 A	4.0 A
PLURIJET 5/130	9.0 A	5.2 A
PLURIJET 6/130	9.9 A	5.7 A
PLURIJET 3/200	5.9 A	3.4 A
PLURIJET 4/200	7.3 A	4.2 A
PLURIJET 5/200	9.3 A	5.4 A
PLURIJET 6/200	10.2 A	5.9 A

DIMENSIONS AND WEIGHT



TYPE		PORTS		DIMENSIONS mm									kg	
Single-phase	Three-phase	DN1	DN2	a	f	h	h1	h2	t	n2	w	s	1~	3~
PLURIJETm 5/90	PLURIJET 5/90	1 1/4"	1"	75	549	228	145	59	185	145	243	11	20.8	20.8
PLURIJETm 6/90	PLURIJET 6/90				573						269		22.8	22.8
PLURIJETm 3/130	PLURIJET 3/130				497						191		18.8	18.8
PLURIJETm 4/130	PLURIJET 4/130				523						217		20.8	20.8
PLURIJETm 5/130	PLURIJET 5/130				569						243		24.2	24.2
-	PLURIJET 6/130				595						269		-	25.2
PLURIJETm 3/200	PLURIJET 3/200				497						191		18.8	18.8
PLURIJETm 4/200	PLURIJET 4/200				523						217		20.7	20.7
PLURIJETm 5/200	PLURIJET 5/200				569						243		24.2	24.2
-	PLURIJET 6/200				595						269		-	25.2

MATERIALS AND COMPONENTS

1 Pump body Stainless steel **AISI 304**, provided with ISO 228/1 threaded ports

2 Cover Stainless steel **AISI 304**

3 Impellers Stainless steel **AISI 304**

4 Diffusers Stainless steel **AISI 304**

5 Mechanical seal	Seal	Shaft	Materials
	FN-18	Ø 18 mm	Graphite / Ceramic / NBR

6 Motor shaft Stainless steel **AISI 431**

7 Electric motor **PLURIJETm**: single-phase 230 V - 50Hz with winding integrated thermal motor protection
PLURIJET: three-phase 230/400 V - 50 Hz
 ※ Pumps are equipped with high-efficiency motors (IEC 60034-30-1)
 class **IE2** for single-phase models
 class **IE3** for three-phase models
 Continuous running duty **S1**

